



## Accessories Stainless Steel 50lt Mobile Bid with Lid

ITEM # \_\_\_\_\_

MODEL # \_\_\_\_\_

NAME # \_\_\_\_\_

SIS # \_\_\_\_\_

AIA # \_\_\_\_\_



132926 (NCVR50)

Stainless steel 50-lt Mobile Bin with lid

### Short Form Specification

Item No. \_\_\_\_\_

Manufactured in 304 AISI stainless steel. Fitted with 2 handles. Removable lid with handle.

### Main Features

- Sturdiness, stability and reliability of table accurately tested.
- Removable lid with two handles to facilitate the operations.

### Construction

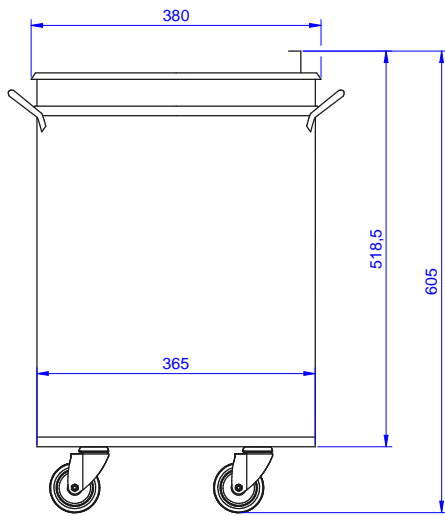
- Constructed entirely in 304 AISI stainless steel.
- Developed and produced in ISO 9001 and ISO 14001 certified factory.

APPROVAL: \_\_\_\_\_

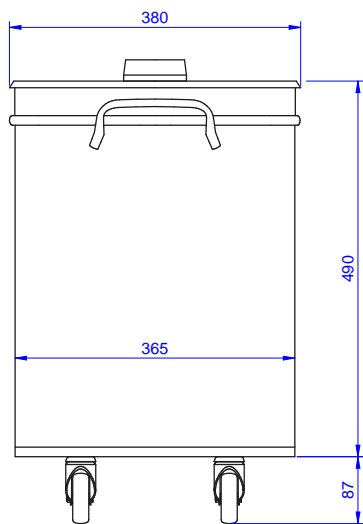


Experience the Excellence  
[www.electroluxprofessional.com](http://www.electroluxprofessional.com)

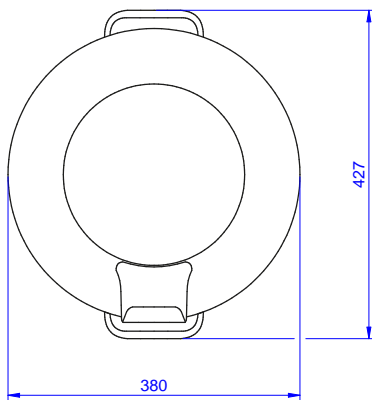
Front



Side



Top



**Key Information:**

External dimensions,  
Width:

132926 (NCVR50) 380 mm

External dimensions,  
Depth:

427 mm

External dimensions,  
Height:

605 mm